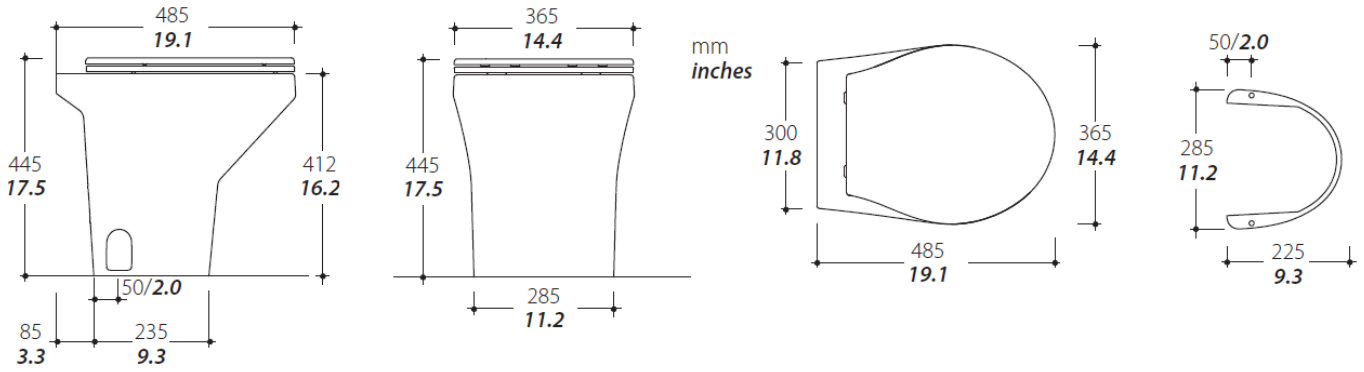




PRODUCT INFORMATION SHEET

COMPASS HIGH



Product range	Compact line
Collection	COMPASS
Code	Depending on configuration – see code chart for details

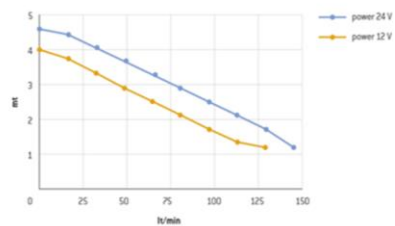
	STANDARD CONFIGURATION	OPTIONAL CONFIGURATION
Outlet pump*	MAC 4 (DC power: 12V- 24 V)	n/a
Seat & Cover	Thermosetting with Soft Closing System	n/a
Color	White	n/a
Control Panel	Eco rocker switch 	All-in-One 1P SFT / All-in-One 2P SFT / Multiframe 2P SFT / Touch Multifunction SFT 
Water inlet device*	Solenoid (centralized system)	Inlet pump (single system)
Bidet	n/a	
Water consumption	0.5 / 2.0 l (0.1 / 0.5 gal) per flush. The user can easily adjust the water amount.	
Weight	21.5 Kg	

*see technical data for details

Technical data:

	WIRE GAUGE SIZE CHART		
	Distance from source* is:		
	0-6 mt (0-20 ft)	6-10 mt (20-32 ft)	10 -15 mt (33-50 ft)
12V DC	10 AWG (4.17 mm ²)	8 AWG (6.63 mm ²)	6 AWG (4.17 mm ²)
24V DC	16 AWG (2.63 mm ²)	14 AWG (4.17 mm ²)	12 AWG (2.63 mm ²)

*Distance measured assumed power and ground wires



	12V DC	24V DC
MAC 4 OUTLET PUMP		
Fuse recommended	30A	20A
Pump performance	Max vertical head 4mt 13.1 ft Max horizontal distance 40 mt 131.2 ft	
Outlet Duck bill valve (male)	1.5" / required ID 1.5" (38.5 mm)	

	12V DC	24V DC
INLET SOLENOID Centralized system		
Power consumption	9.5 W	10 W
Working pressure recommended	3 bar	3 bar
Solenoid Inlet (threaded female)	1/2" or 3/4"	
Solenoid Outlet with inlet hose (barbed male)	15mm	

	12V DC	24V DC
INLET PUMP Single system (Raw)		
Fuse	8 A	4 A
Pressure	45 PSI - 3 bar	
Water flow	12 l/min 3.17 gmp	
Toilet inlet hose fitting (barbed)	20mm	

Notes:

Box dimension	67cm x 50 cm x 75 cm (LxWxH)
Box weight	26 Kg
Packaging(units/pallet)	12